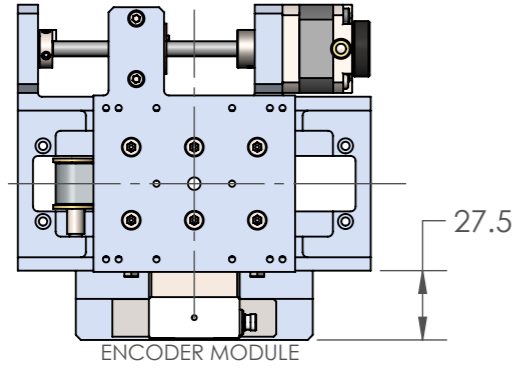
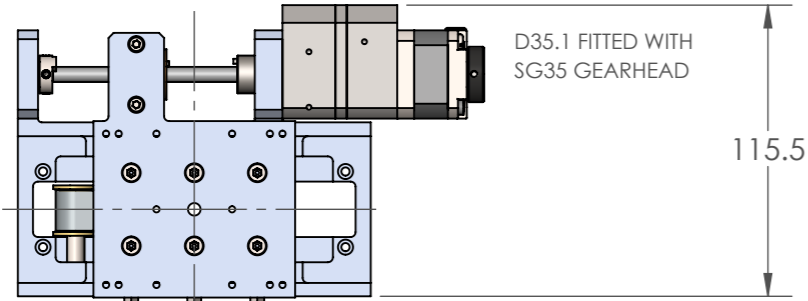


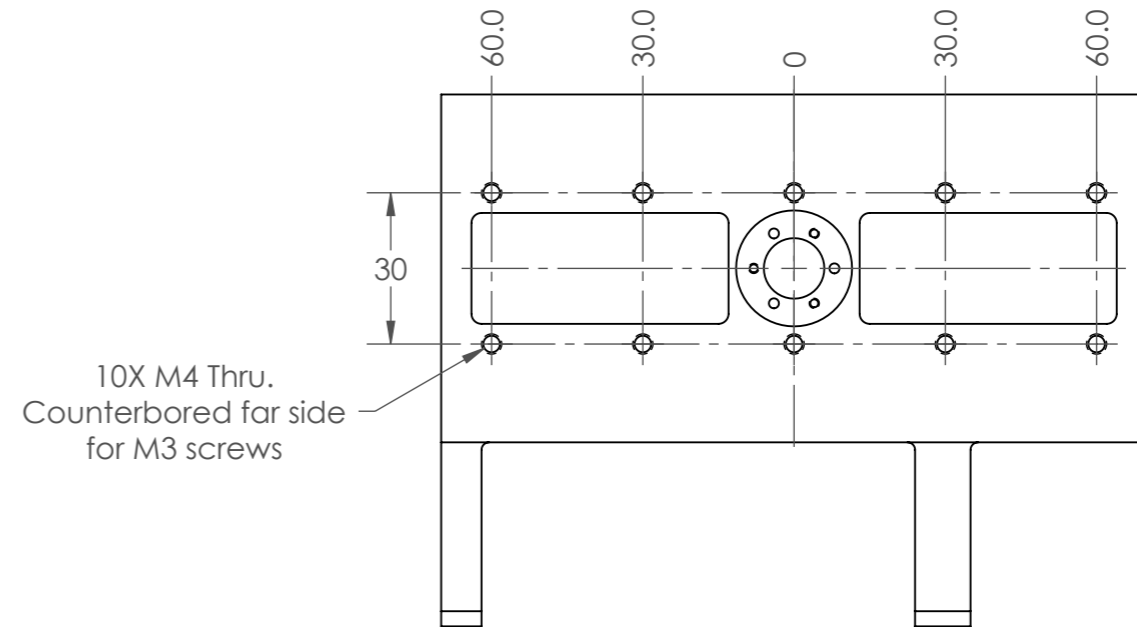
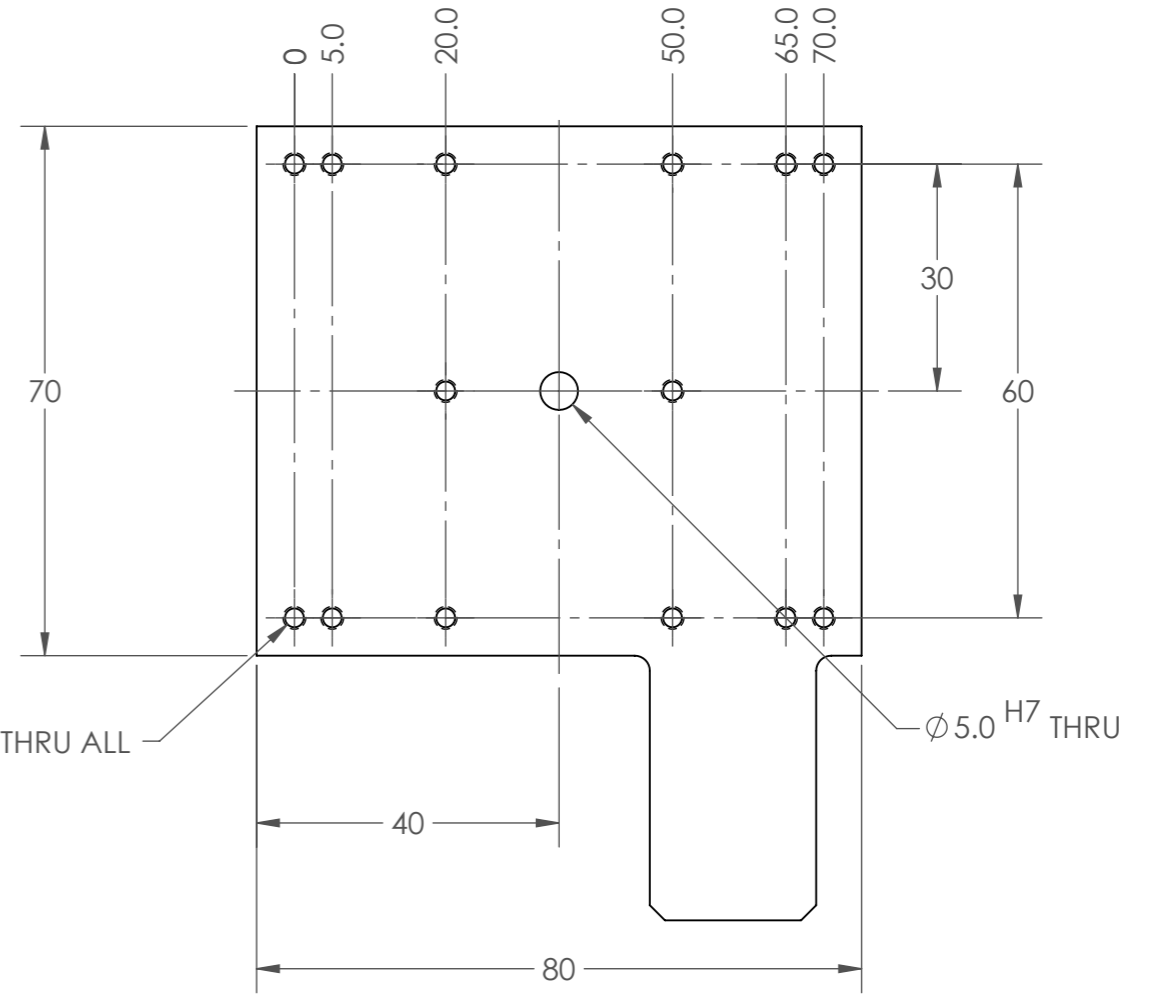
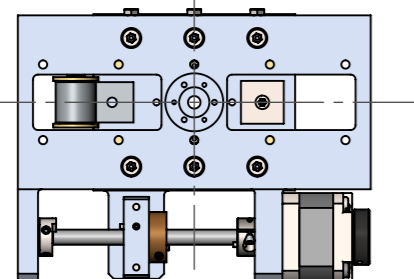
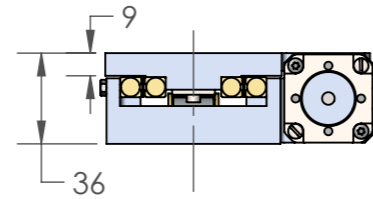
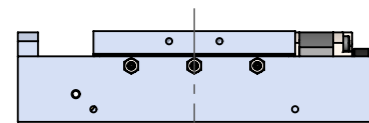
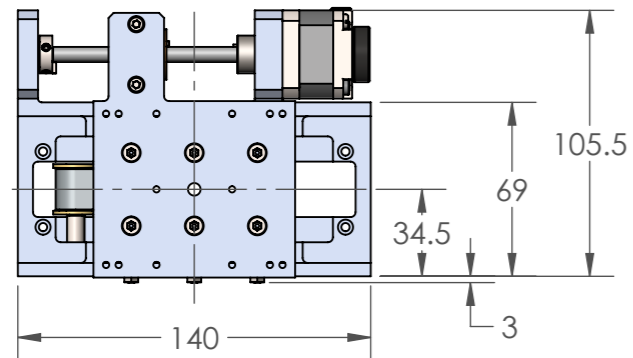
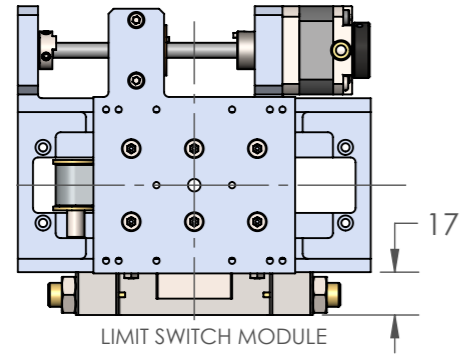
VSM17-X-050-ER



VSM17-X-050-HR



VSM17-X-050-LS



ZONE	REV.	DESCRIPTION	DATE	APPROVED
	B	Version 2.	25/01/2024	
	A	Release	30/01/2023	
REVISIONS				

This drawing / document is copyright and the property of Arun Microelectronics Ltd. It must not be copied (in whole or in part), used for manufacture or otherwise disclosed without prior written consent of the company.  
©Arun Microelectronics Ltd. 2023

**All materials and / or components must comply with ROHS requirements**

**MATERIAL:**

**FINISH:**

**UNLESS OTHERWISE SPECIFIED**  
DIMENSIONS ARE IN:- mm  
**TOLERANCES:**  
ONE PLACE DECIMAL ±0.25  
TWO PLACE DECIMAL ±0.10  
General geometrical tolerances in accordance with ISO 2768-K

**Arund Microelectronics Ltd.**

**TITLE:**  
VSM17-X-050 GA

**DWG NO.**  
M17-006B

**DRAWN:** VW

**THIRD ANGLE PROJECTION**

**DO NOT SCALE DRAWING**

**SHEET 1 OF 1**