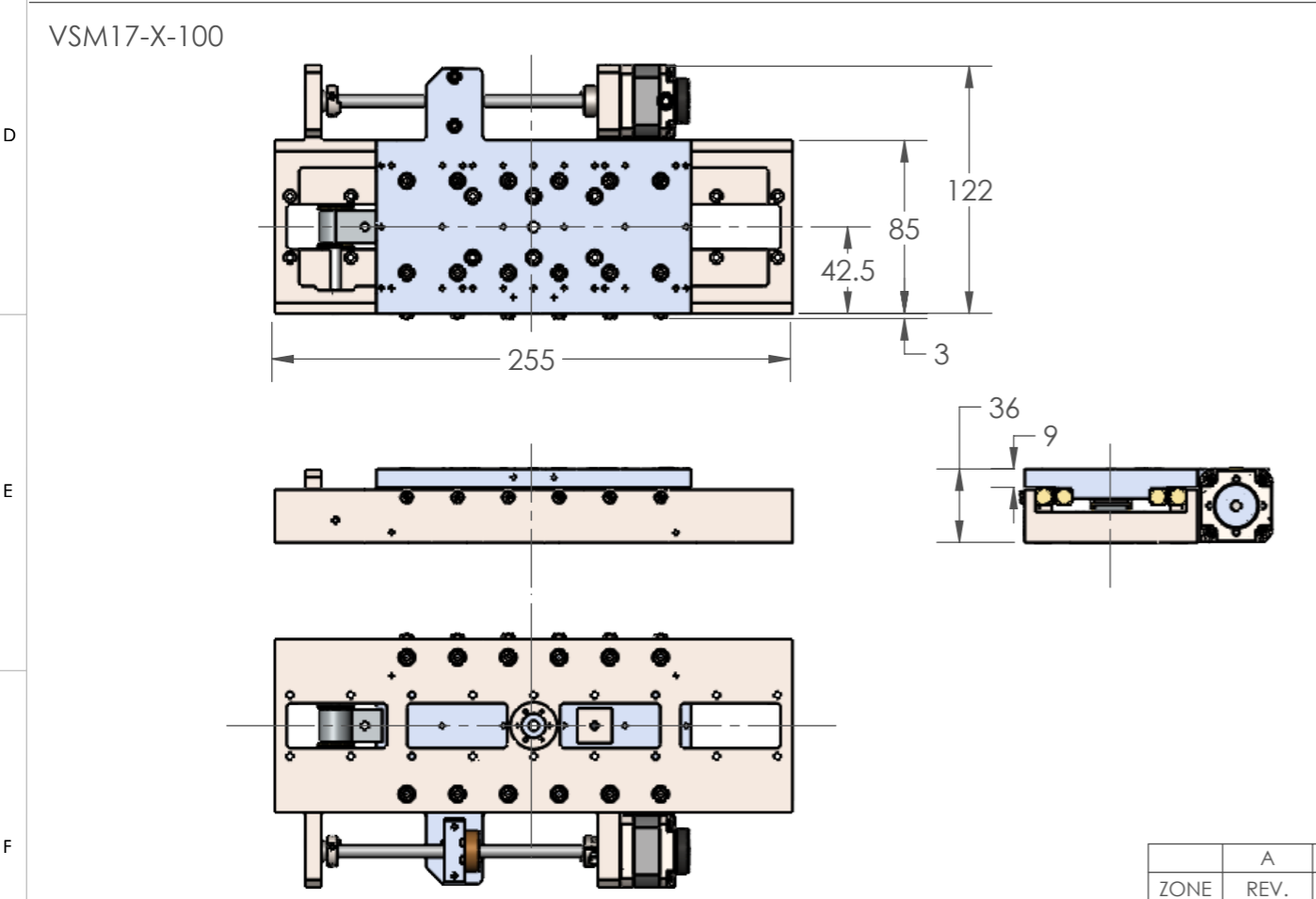
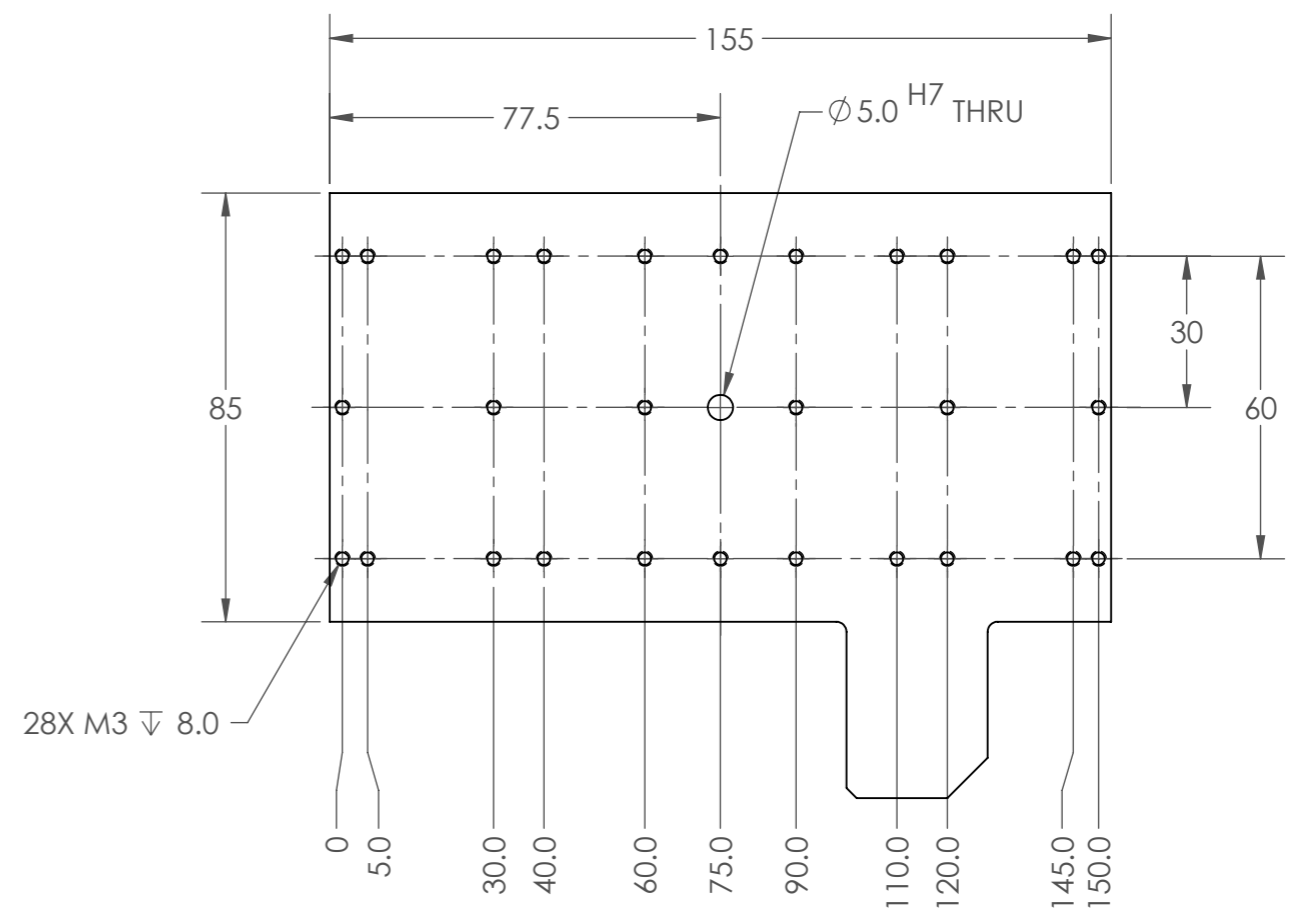
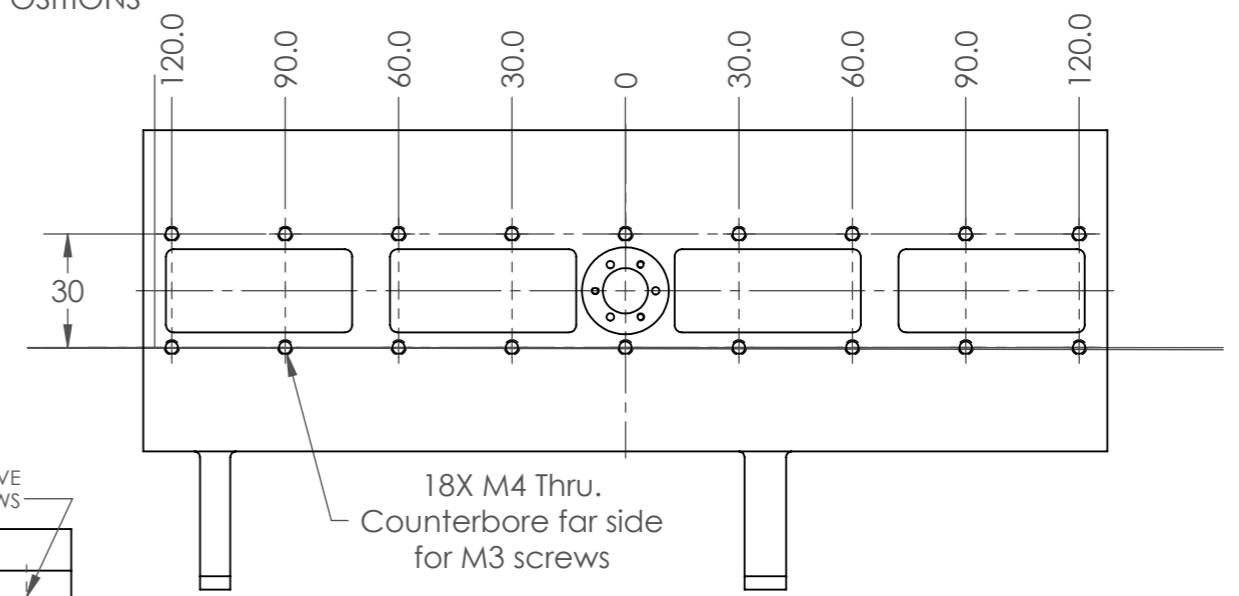


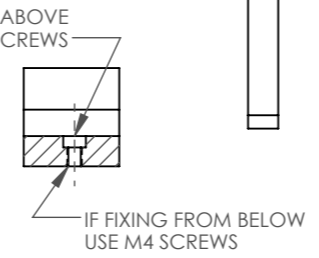
CARRIAGE MOUNTING DIMENSIONS



BASE MOUNTING POSITIONS



SECTION A-A



This drawing / document is copyright and the property of Arun Microelectronics Ltd. It must not be copied (in whole or in part), used for manufacture or otherwise disclosed without prior written consent of the company.
 ©Arun Microelectronics Ltd. 2023
All materials and / or components must comply with ROHS requirements
 MATERIAL:
 FINISH:

qml Arun Microelectronics Ltd.

UNLESS OTHERWISE SPECIFIED
 DIMENSIONS ARE IN:- mm
 TOLERANCES:
 ONE PLACE DECIMAL ±0.25
 TWO PLACE DECIMAL ±0.10
 General geometrical tolerances in accordance with ISO 2768-K

TITLE:
VSM17-X-100 GA

DWG NO.
M17-005A

DRAWN **VW**
 THIRD ANGLE PROJECTION

DO NOT SCALE DRAWING

SHEET 1 OF 1

| ZONE | REV. | DESCRIPTION | DATE | APPROVED |
|-----------|------|-------------|------------|----------|
| A | | Release | 30/01/2023 | |
| REVISIONS | | | | |