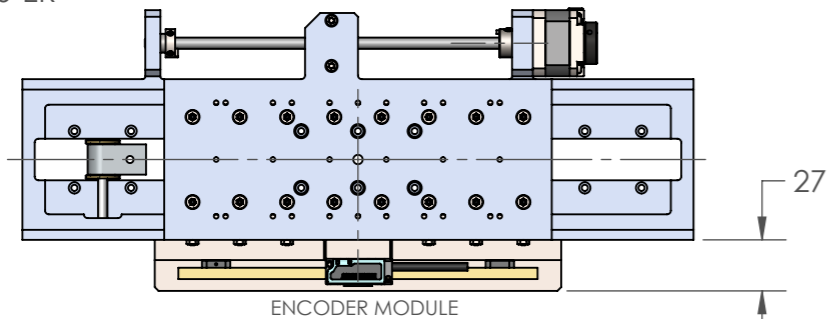
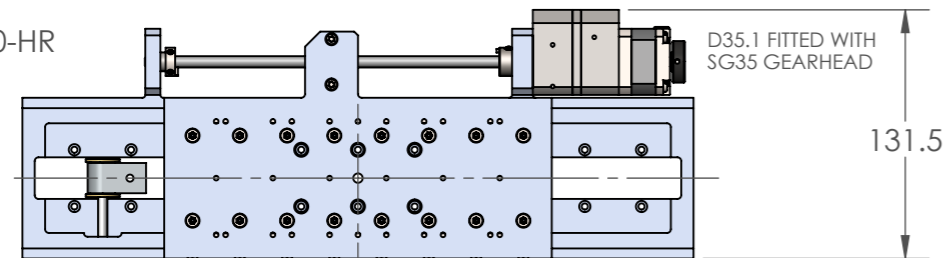


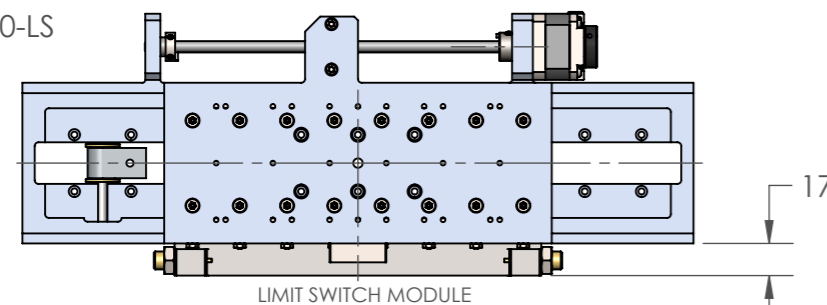
VSM17-X-150-ER



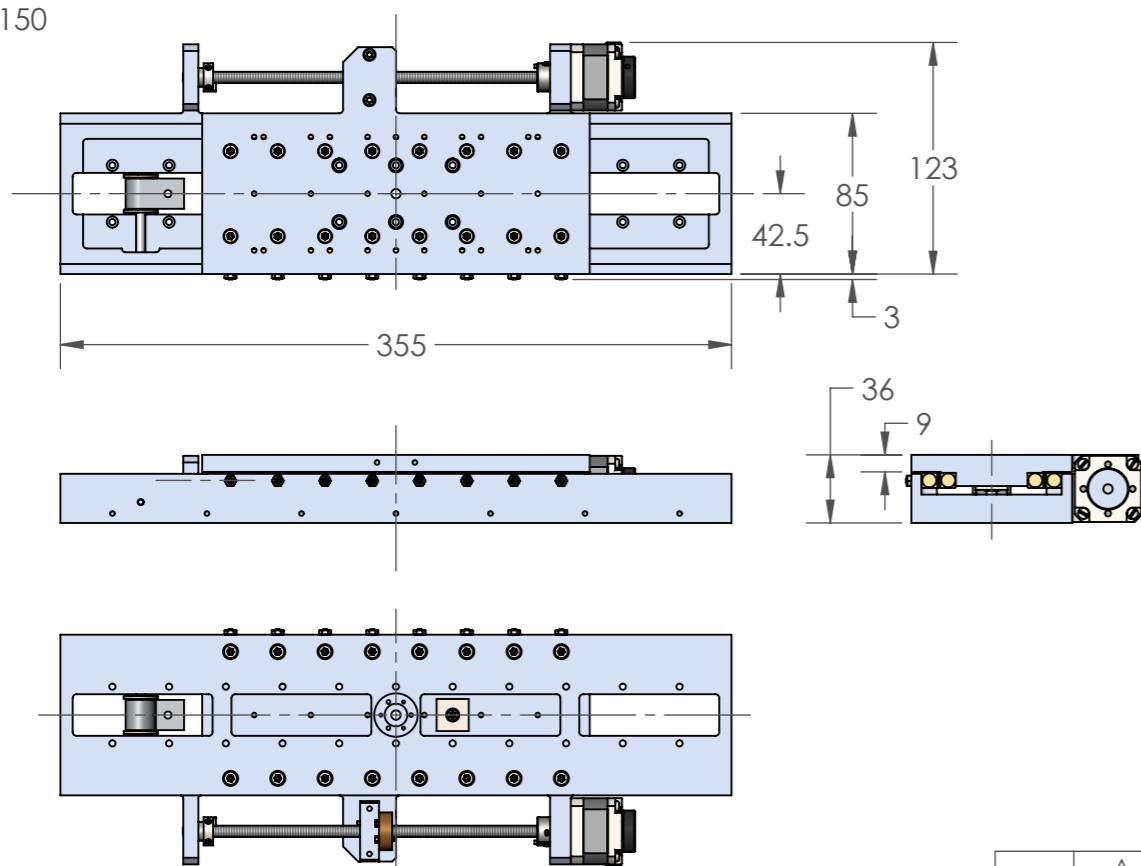
VSM17-X-150-HR



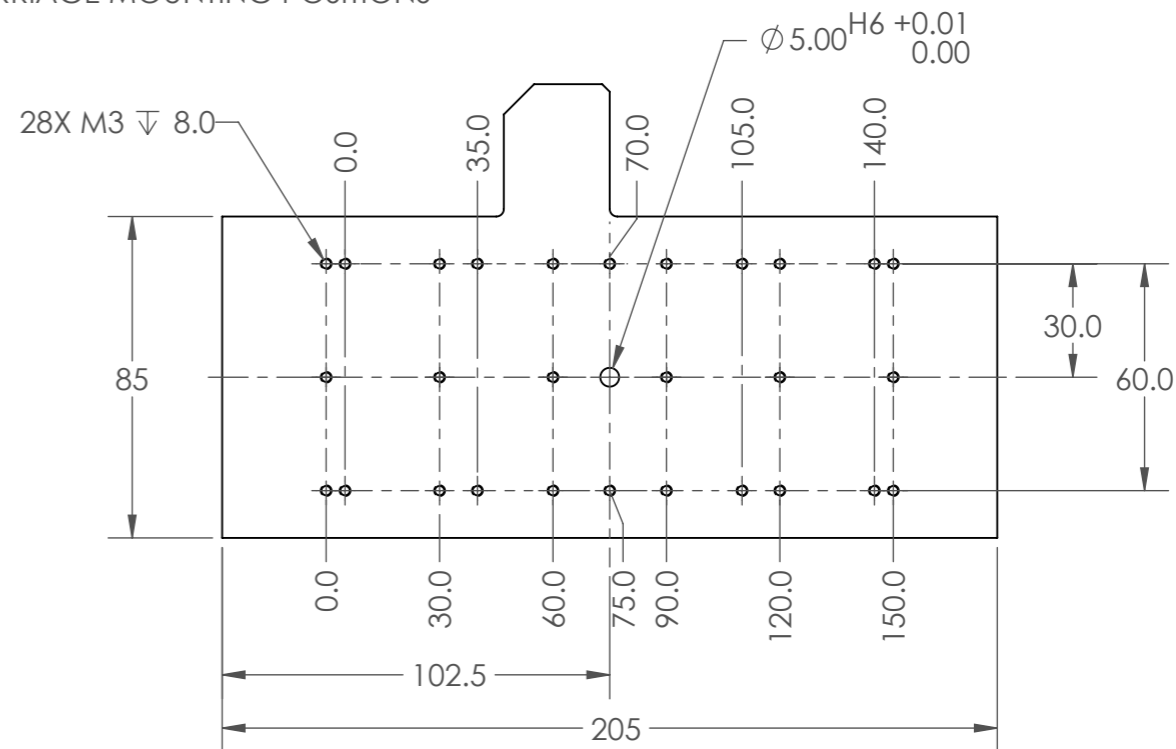
VSM17-X-150-LS



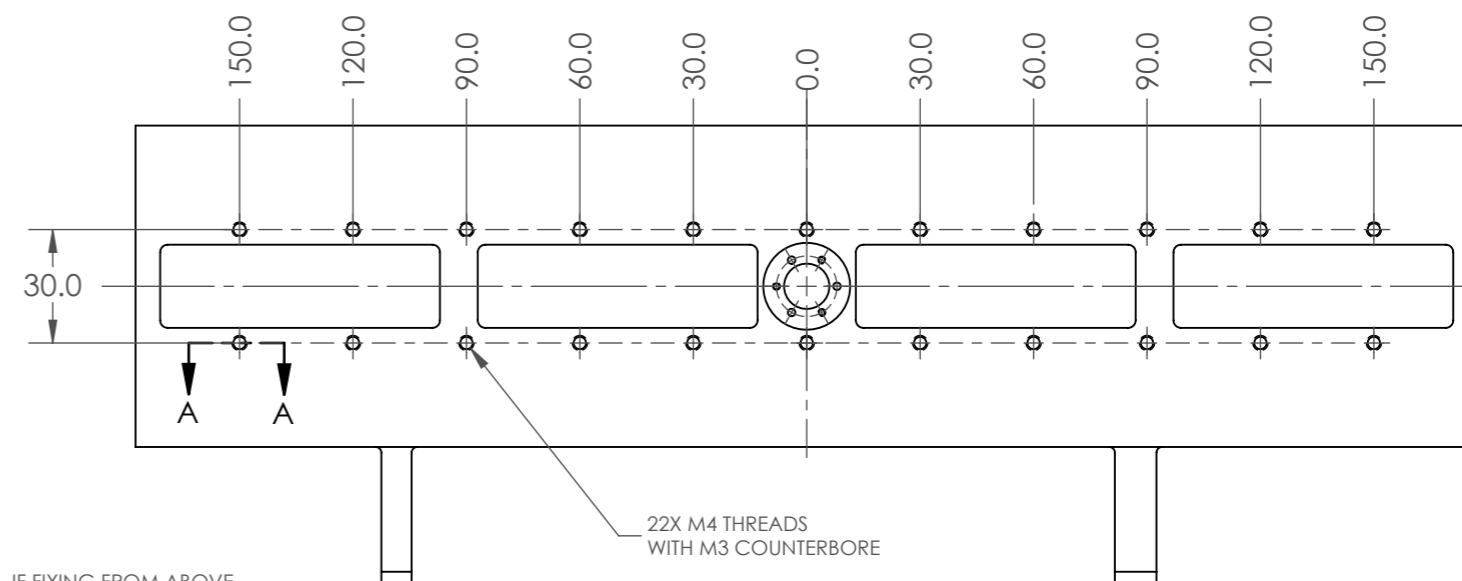
VSM17-X-150



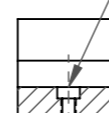
CARRIAGE MOUNTING POSITIONS



BASE MOUNTING POSITIONS



IF FIXING FROM ABOVE USE M3 SCREWS



IF FIXING FROM BELOW USE M4 SCREWS

SECTION A-A

This drawing / document is copyright and the property of Arun Microelectronics Ltd. It must not be copied (in whole or in part), used for manufacture or otherwise disclosed without prior written consent of the company

©Arun Microelectronics Ltd. 2022

All materials and / or components must comply with ROHS requirements

MATERIAL:

FINISH:



Arun Microelectronics Ltd.

UNLESS OTHERWISE SPECIFIED

DIMENSIONS ARE IN:- mm

TOLERANCES:
ONE PLACE DECIMAL \pm 0.25
TWO PLACE DECIMAL \pm 0.10

General geometrical tolerances in accordance with ISO 2768-K

DRAWN PJB

THIRD ANGLE PROJECTION

TITLE:

VSM17-X-150 GA

DWG NO.

M17-003A

DO NOT SCALE DRAWING

SHEET 1 OF 1

ZONE	REV.	DESCRIPTION	DATE	APPROVED
A		Release	03/11/2022	
REVISIONS				